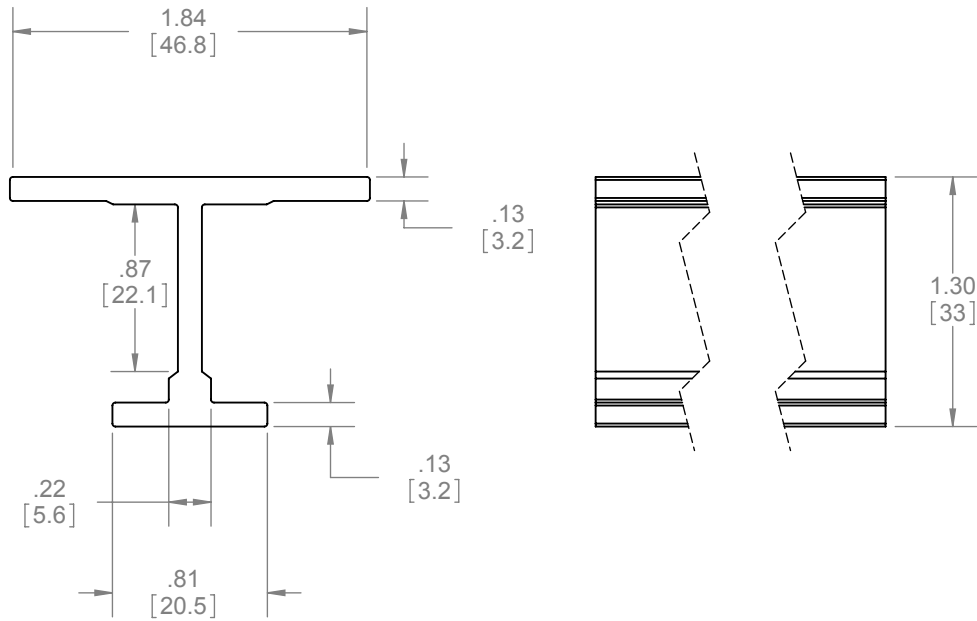
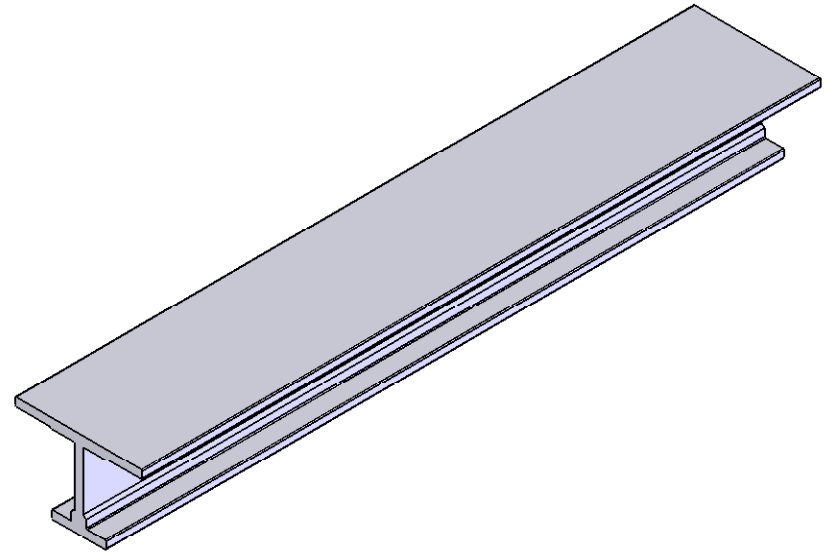


REVISIONS		
REV.	DESCRIPTION	DATE
01	NEW DRAWING FOR WEB	3/20/2008



NOTE:  
 -MOUNTING HOLES PRE-PUNCHED FOR EASE OF INSTALLATION  
 -LENGTH 72"(1829mm) TO 192" (4877mm)



**PROPRIETARY & CONFIDENTIAL**  
 THE INFORMATION CONTAINED IN THIS DRAWING IS THE SOLE PROPERTY OF HAGER COMPANIES. ANY REPRODUCTION IN PART OR AS A WHOLE WITHOUT THE WRITTEN PERMISSION OF HAGER COMPANIES IS PROHIBITED.

HAGER RESERVES THE RIGHT TO MAKE DESIGN CHANGES WITHOUT NOTICE. CALL HAGER ENGINEERING AT 1-800-325-9995 FOR THE LATEST REVISION DATE OF TEMPLATE.

MATERIAL	EXTRUDED ALUMINUM
FINISH	CLEAR
DO NOT SCALE DRAWING	

DRAWN	NJANSEN	12/12/2007
ENG. APPR.	M MCRAE	3/20/2008
Q.A.		
TOLERANCES: FRACTIONAL: ±0.015" ANGULAR: MACH: ± 1° BEND: ±1° TWO PLACE DECIMAL: ±0.01" THREE PLACE DECIMAL: ±0.004"		

9101 I-BEAM TRACK		SIZE	DWG. NO.	REV.
		<b>A</b>	S-SD00023	01
SCALE: 1:4	WEIGHT: 0.48	SHEET 1 OF 1		